



**1999-UP CHEVY/GMC SILVERADO 1500-2500 INSTALLATION SHEET
PART #11505BB (LONG BOX)**

Congratulations on your purchase of a high quality PUTCO product. Should you need any application or technical assistance feel free to call us at:
1-800-247-3974

Monday-Friday 8:00 a.m.- 5:00 p.m. (Central Standard Time)

Contact your PUTCO dealer for other quality accessories.

PUTCO Inc. - 216 West First Street - Story City, Iowa 50248

PLEASE READ ALL INSTRUCTIONS BEFORE BEGINNING INSTALLATION AND BE SURE TO CHECK TO SEE THAT ALL PARTS AND HARDWARE ARE INCLUDED.

Parts List	
Description	Qty
Box boards	2
Flaps (#7422BB & #7423BB)	2
End caps (#7812-passenger / #7813 driver)	2
18" Mini trim (#7820)	2
18" Flat braces (#10511)	8
14-3/4" Angle bracket (#553)	4
1-1/2"x 1-1/2" Angle bracket (#547)	4
20-1/4" Bent brace (568)	2
6" Flat brace (#510)	4

Bolt kit	
Description	Qty
1/4" x 1-1/4" SS Slot head screw (#726)	16
1/4" x 3/4" Hex head bolts (#730)	28
1/4" Flange nut (#791)	44
1/4" x 1" Self drill & tap screws (#701)	22

Tools Needed for Installation	
Electric Drill	
3/16" and 1/4" Drill Bit	
3/8" Magnetic Socket Holder	
7/16" Wrench and Socket	
Screwdriver (flat head)	
Vise grips or C-clamps	
Level	

NOTE: Remove the protective plastic coating from the running boards and mud flaps. Trim the black vinyl tape on each end of the running boards, so that the tape edge is flush with the end of running board. The steps and figures shown are for the passenger side installation.

Step 1: Form the flap to conform to the wheel well opening. **(SEE FIGURE 1)**. Bolt the stainless steel flap to the rear of the running board using 1/4" x 1-1/4" SS slot head screws and flange nuts. **(SEE FIGURE 1)**. Next apply the mini-trim **(#7820)** 18" ONLY along the outside edge of the flaps. **(optional)**. **(SEE FIGURE 3)**.

Step 2: Attach the end cap **(#7812-passenger / #7813-driver)** to the front of the running board using 1/4" x 1-1/4" SS slot head screws and flange nuts. **(SEE FIGURE 3)**.

Step 3: Attach the 14-3/4" angle bracket **(#553)** to the weld-ins at 5" and 22-1/2" from the front of the running board, using 1/4" x 3/4" hex head bolts and flange nuts. Figure tighten only. **(SEE FIGURE 3)**. Next bolt two 18" flat braces **(#10511)** to the other end of the 14-3/4" angle brackets. **(SEE FIGURE 3)**.

Step 4: Now take the bent brace **(#568)** and attach it to the back lip of the box board using 1/4" x 1-1/4" SS slot head bolts and flange nuts. Next clamp the bent brace to the rocker panel and the flap to the wheel well opening. Clamp the 18" flat straps to the under body cross braces. **(SEE FIGURE 3)**. Make sure the front of the box board matches up with the rear of the cab board, both in and out, and up and down positions.

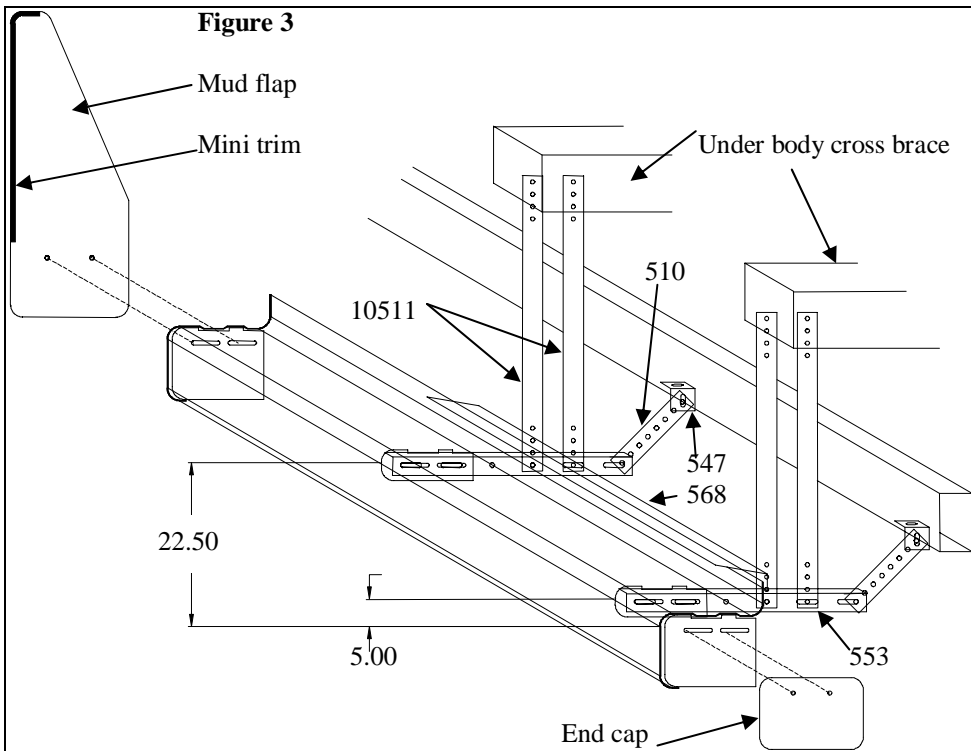
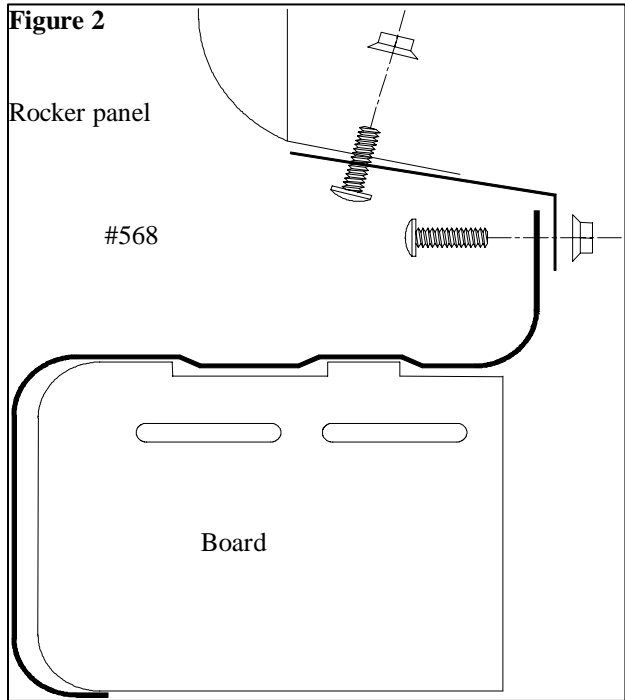
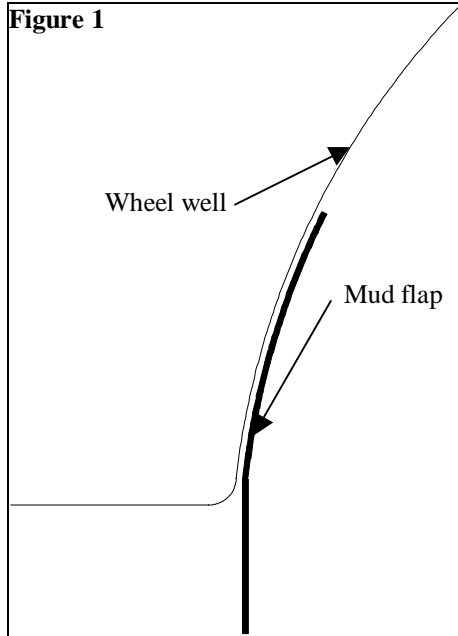
Step 5: Once you have the front of the box in line with the cab, check and make sure the rear of the board is level with the cab. **(NOTE:** The best way to check this is to look down the front of the cab board by the flap, towards the rear of the box board). Make adjustments in and out or up and down until you have a perfect alignment.

Step 6: Once you have the box board aligned, drill two 1/4" holes through the rocker panel using the slots in the bent brace as a guide and attach the brace to the rocker panel using 1/4" x 1-1/4" SS slot head bolts and flange nuts. **(SEE FIGURE 2)**.

Step 7: Recheck board for alignment. Then attach the 18" braces to the under body cross braces using 1/4" x 3/4" self drill and tap screws. Then attach a 6" flat brace **(#510)** to the end of the angle bracket using 1/4" x 3/4" hex head bolts and flange nuts, attach a 1-1/2" angle bracket **(#547)** to the other end of the flat brace using a hex head bolt and flange nut. Using the 1-1/4" angle bracket as a guide drill a 1/4" hole into the frame, then attach the angle bracket to the frame using a hex head bolt and flange nut. **(SEE FIGURE 3)**.

Step 8: Attach the flap to the wheel well opening using three 1/4" x 1" self drill and tap screws. Make sure all nuts and bolts are tight.

Note: PUTCO recommends applying a high quality automotive wax to maintain the original appearance on your new running boards.



LIMITED WARRANTY

Putco guarantees its Stainless Steel and Aluminum products against defects in workmanship and material for as long as you own your vehicle. Black products have a 90 day warranty on the painted surface. Any defects resulting from faulty material or workmanship will be warranted by Putco and repaired or replaced at our discretion. Putco assumes no extra labor costs. Damages caused by freight carriers, improper installation, misuse, collision, or neglect will not be warranted by Putco.