



**2002-Current DODGE RAM 1500 SERIES SHORT BOX  
PART #13503 (LONG BOX)**

Congratulations on your purchase of a high quality PUTCO product. Should you need any application or technical assistance feel free to call us at:  
**1-800-247-3974**

**Monday-Friday 8:00 a.m.- 5:00 p.m. (Central Standard Time)**

Contact your PUTCO dealer for other quality accessories.

PUTCO Inc. - 216 West First Street - Story City, Iowa 50248

**PLEASE READ ALL INSTRUCTIONS BEFORE BEGINNING INSTALLATION AND BE SURE TO CHECK TO SEE THAT ALL PARTS AND HARDWARE ARE INCLUDED.**

Parts List		Bolt kit		Tools Needed for Installation	
Description	Qty	Description	Qty		
Box boards	2	1/4" x 1-1/4" SS Slot head screw (#726)	8	Electric Drill	
Flaps (#7422 & #7423)	2	1/4" x 3/4" Hex head bolts (#730)	26	3/16" and 1/4" Drill Bit	
Flap extensions (#9988)	2	1/4" Flat washer (#780)	34	3/8" Magnetic Socket Holder	
End caps (7811)	2	1/4" Hex Nut (#790)	34	7/16" Wrench and Socket	
18" Mini trim (#7820)	2	1/4" x 1" Self drill & tap screws (#701)	18	Screwdriver (flat head)	
L-Bracket (#521)	2			Vise grips or C-clamps	
6" Flat strap (#510)	2			Level	
18" 3-3/4" Flat braces (#10517)	2			Tin snips	
18-1/2" Angle bracket (#554)	2				
14-3/4" Angle bracket (#553)	2				
1-1/2" x 1-1/2" Angle bracket (#547)	2				
1-1/2" x 1-1/2" Angle bracket 90 degree(#548)	2				
Foam Tape (#689)	1 Roll				

**NOTE:** Remove the protective plastic coating from the running boards and mud flaps. Trim the black vinyl tape on each end of the running boards, so that the tape edge is flush with the end of running board. The steps and figures shown are for the passenger side installation.

**Step 1:** Form the flap to conform to the wheel well opening. **(SEE FIGURE 1)**. Bolt the mud flap extension **(#9988)** in between the stainless steel flap and the rear of the running board, bolt together using 1/4" x 1-1/4" SS slot head screws and nuts. **(SEE FIGURE 1)**. Next apply the mini-trim **(#7820)** 18" ONLY along the outside edge of the flaps. **(optional)**. **(SEE FIGURE 3)**.

**Step 2:** Apply the foam tape along the back of the board so that it is flush with the top of the back lip. **(SEE FIGURE 2)**.

**Step 3:** Attach the end cap **(#7811)** to the front of the running board using 1/4" x 1-1/4" SS slot head screws and flange nuts. **(SEE FIGURE 3)**.

**Step 4:** Attach the 14-3/4" angle bracket **(#553)** to the weld-in that is 4-3/4" from the front of the running board, using 1/4" x 3/4" hex head bolts, washers and nuts. Attach the 18-1/2" angle bracket **(#554)** to the weld-in that is 25-1/2" from the front of the running board, using 1/4" x 3/4" hex head bolts, washers and nuts. Figure tighten only. **(SEE FIGURE 3)**. Next bolt a 18" x 3-3/4" flat brace **(#10517)** to the middle of the 18-1/2" angle bracket, you will need to drill a hole so the both holes at the bottom of the flat brace can be used. Attach the other 18-1/2" angle bracket to the angle bracket at 25-1/2" from the front of the board **(SEE FIGURE 3)**.

**Step 5:** Attach a 6" flat strap **(#510)** to the end of the 14-3/4" angle bracket. Use 1/4" x 3/4" hex bolts, washers, and nuts. Attach a 1-1/2" x 1-1/2" Angle bracket with 90degree bend to the end of the 6" flat strap. Attach the L-bracket **(#521)** to the other end of the 18-1/2" angle bracket. Use 1/4" x 3/4" hex bolts, washers, and nuts. Attach the 1-1/2" x 1-1/2" angle bracket to the top of the L-bracket so the flange faces toward the front of the truck. **(SEE FIGURE 3)**.

**Step 6:** Now take the box board and clamp the flap to the wheel well opening. Clamp the 18"-3/4" flat brace and 18-1/2" angle bracket to the under body cross braces. **(SEE FIGURE 3)**. Make sure the front of the box board matches up with the rear of the cab board, both in and out, and up and down positions.

**Step 7:** Once you have the front of the box in line with the cab, check and make sure the rear of the board is level with the cab. **(NOTE:** The best way to check this is to look down the front of the cab board by the flap, towards the rear of the box board). Make adjustments in and out or up and down until you have a perfect alignment.

**Step 8:** Once you have the box board aligned, mount both brackets to the under body cross brace using two 1/4" x 1" self drill and tap screws for each brace. **(SEE FIGURE 3)**. Next attach 1-1/2" x 1-1/2" angle brackets **(#547 & #548)** to the frame using a 1/4" x 1" self drill and tap screws-**NOTE:** If needed, pre drill the hole then run the self drill and tap screws through the hole. **(SEE FIGURE 3)**.

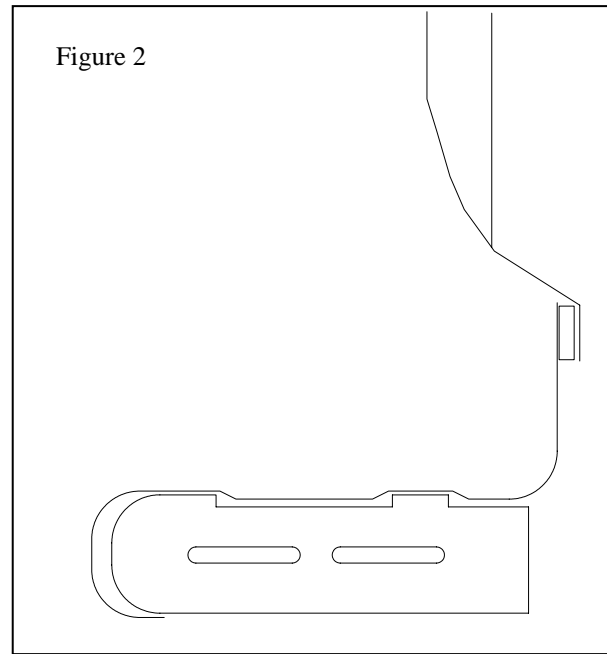
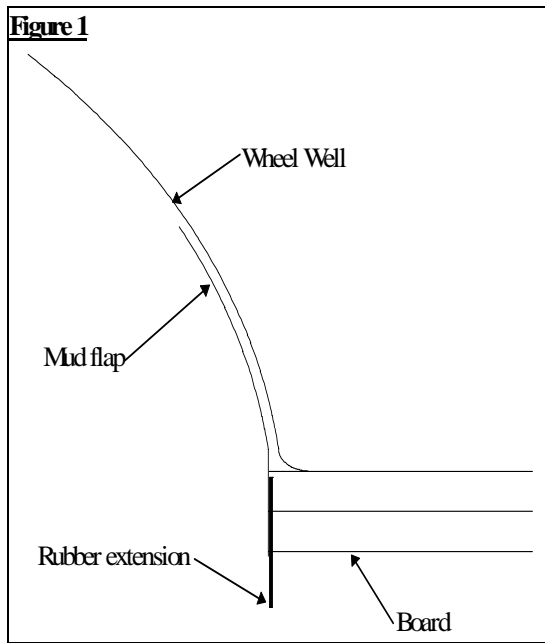
**Step 9:** Attach the flap to the wheel well opening using three 1/4" x 1" self drill and tap screws. Make sure all nuts and bolts are tight.

**Note:** PUTCO recommends applying a high quality automotive wax to maintain the original appearance on your new running boards. February 2001

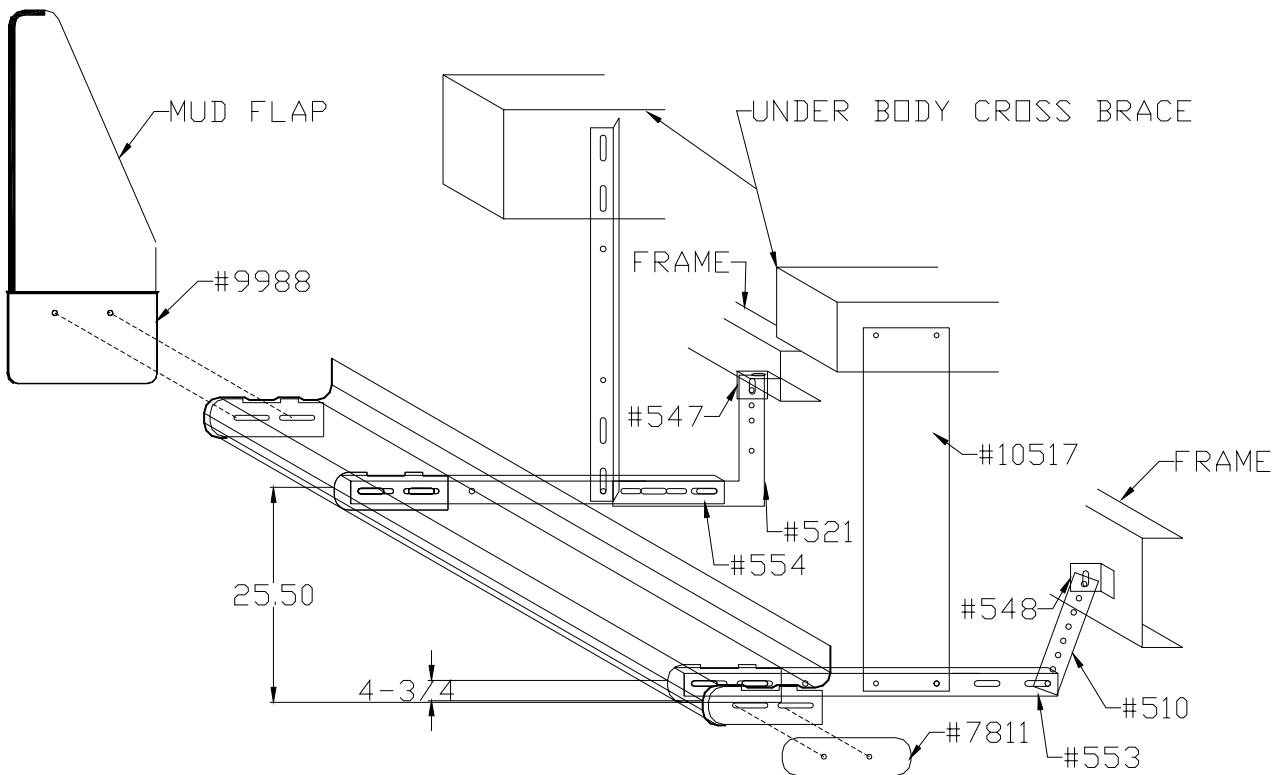


**2002-Current DODGE RAM 1500 SERIES SHORT BOX**

**PART #13503 (LONG BOX)**



**FIGURE 3**



**LIMITED WARRANTY**

Putco guarantees its Stainless Steel and Aluminum products against defects in workmanship and material for as long as you own your vehicle. Black products have a 90 day warranty on the painted surface. Any defects resulting from faulty material or workmanship will be warranted by Putco and repaired or replaced at our discretion. Putco assumes no extra labor costs. Damages caused by freight carriers, improper installation, misuse, collision, or neglect will not be warranted by Putco.